

General Specifications

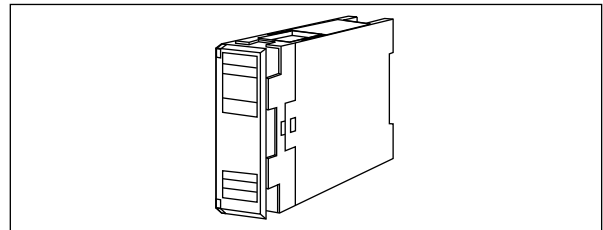
Model FA0A Output Isolator (Voltage Input/Current Output Type)



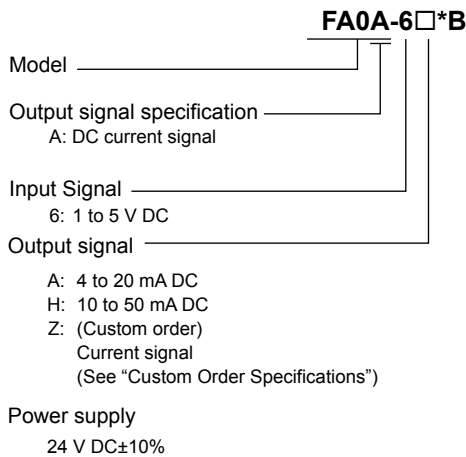
GS 77J08A10-01E

■ General

The FA0A is a compact, front terminal connection type output isolator that receives 1 to 5 DC signals, and converts them into isolated DC current signals.



■ Model and Suffix Codes



■ Ordering Information

Specify the following when ordering.

- Model and suffix codes: e.g. FA0A-6A*B
Note: It is a custom order if necessary to be mounted into F-RACK (X015).

■ Input/Output Specifications

Input signal: 1 to 5 V DC
 Input resistance: 1 MΩ (100 kΩ during power off)
 Maximum allowable input: ±30 V DC or less
 Output signal: DC current signal
 Allowable load resistance:
 750Ω or less (4 to 20 mA DC outputs)
 300Ω or less (10 to 50 mA DC outputs)
 Zero adjustment: -1 to +1%
 Span adjustment: 95 to 105%

■ Standard Performance

Accuracy rating: ±0.1% of span
 Response speed: 150 ms, 63% response (10 to 90%)
 Insulation resistance: 100 MΩ or more at 500 V DC between input and output, output and power supply, and input and power supply.
 Withstand voltage: 1500 V AC/min. between (input and power supply) and output.
 500 V AC/min. between input and power supply.

■ Environmental Conditions

Operating temperature range: 0 to 50°C
 Operating humidity range: 5 to 90% RH (no condensation)
 Power supply voltage: 24 V DC±10% (percentage ripple is 5%p-p or less)
 Effect of power supply voltage fluctuations: ±0.1% or less for the fluctuation within the operating range of power supply voltage specification
 Effect of ambient temperature change: ±0.2% of span or less for a temperature change of 10°C
 Current consumption: 24 V DC 85 mA

■ Mounting and Dimensions

Material: ABS resin (Case body)
 Mounting method: Rack, Wall or DIN rail mounting
 Connection method: M4 screw terminals
 External dimensions: 72 × 24 × 127 mm (H × W × D)
 Weight: DC; Approx. 130 g

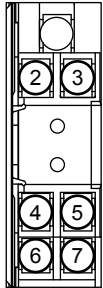
■ Standard Accessories

Tag number label: 1
 Mounting block: 2
 Mounting screw: M4 screw x 2

■ Custom Order Specifications

Output range (DC)	0 to 50 mA
Span (DC)	1 to 40 mA
Zero elevation	25% only

■ Terminal Assignments

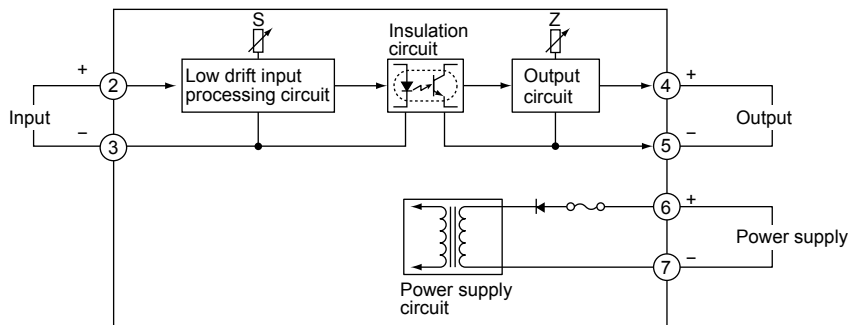


2	Input	(+)
3	Input	(-)
4	Output	(+)
5	Output	(-)
6	Supply	(+)
7	Supply	(-)

F-RACK(X015) mounting type (Custom order)

2	Output	(+)
3	Output	(-)
4	Input	(+)
5	Input	(-)
6	Supply	(+)
7	Supply	(-)

■ Block Diagram



■ External Dimensions

